

HYVA PTO'S



PNEUMATICALLY OPERATED POWER TAKE-OFF

Hyva

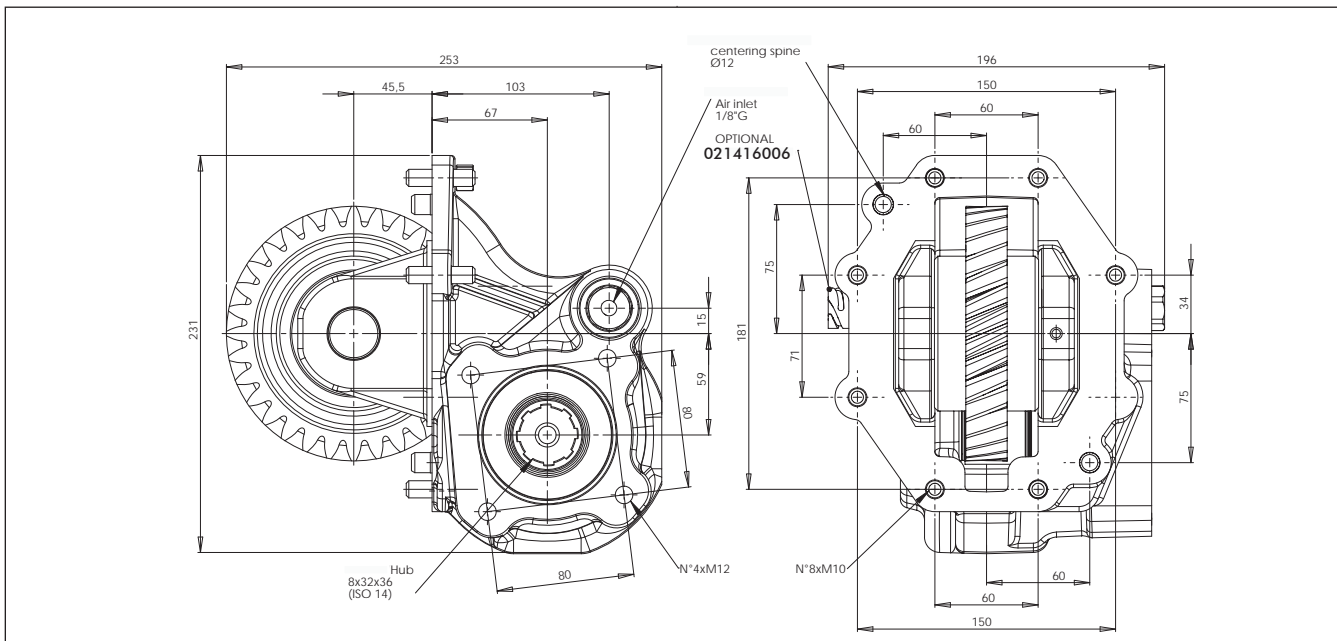
Partno. PTO only:

021211076

Type Gearbox:

SCANIA

Page 1 / 1



Specifications

Type Gearbox	GR 875 GR 905	GRS 895 GRS 905
PTO ratio@1000 eng. rpm	Norm. 1227	Norm. 1227 High. 1523
Max torque	450 Nm	
Mounting side	Right	
Output	Rear	
Rotation	Cw	

Mounting kit

Part no.	021465006
----------	-----------

