

HYVA PTO'S



PNEUMATICALLY OPERATED POWER TAKE-OFF

Hyva

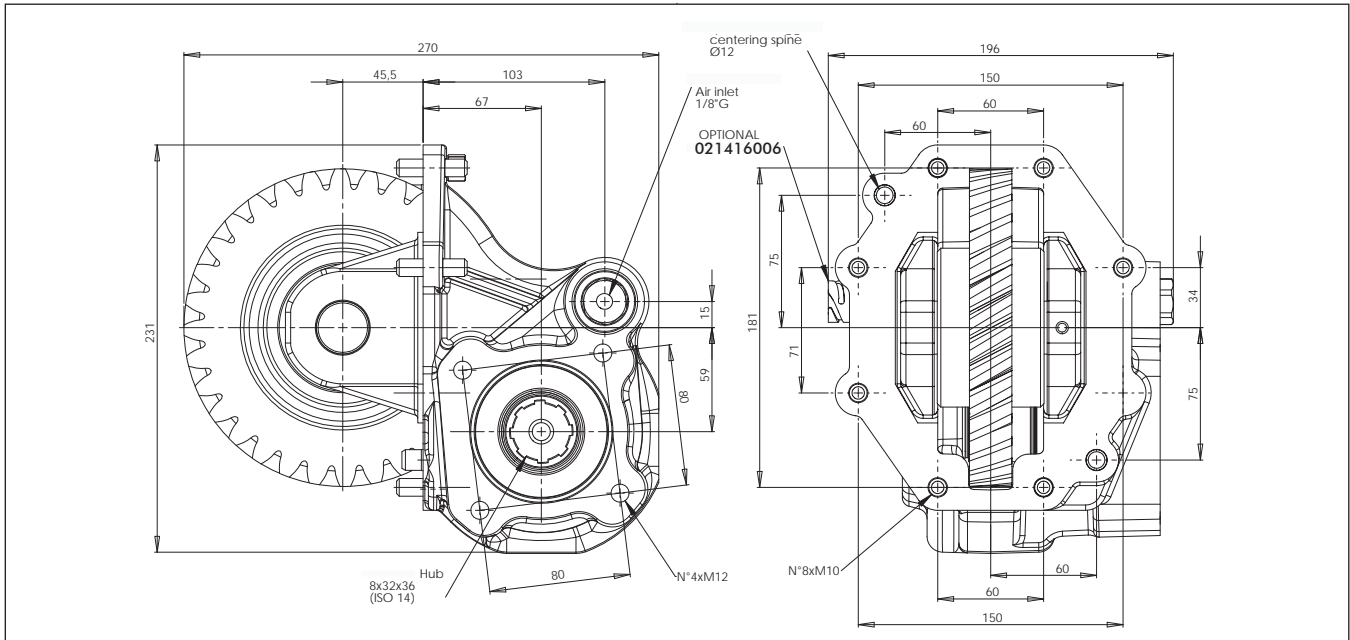
Partno. PTO only:

021211075

Type Gearbox:

SCANIA

Page 1 / 1



Specifications

Type Gearbox	GRSO 905	
PTO ratio@1000 eng. rpm	Norm. 1680	High. 2015
Max torque	370 Nm	
Mounting side	Right	
Output	Rear	
Rotation	Cw	

Mounting kit

Part no.	021465006
----------	-----------

